



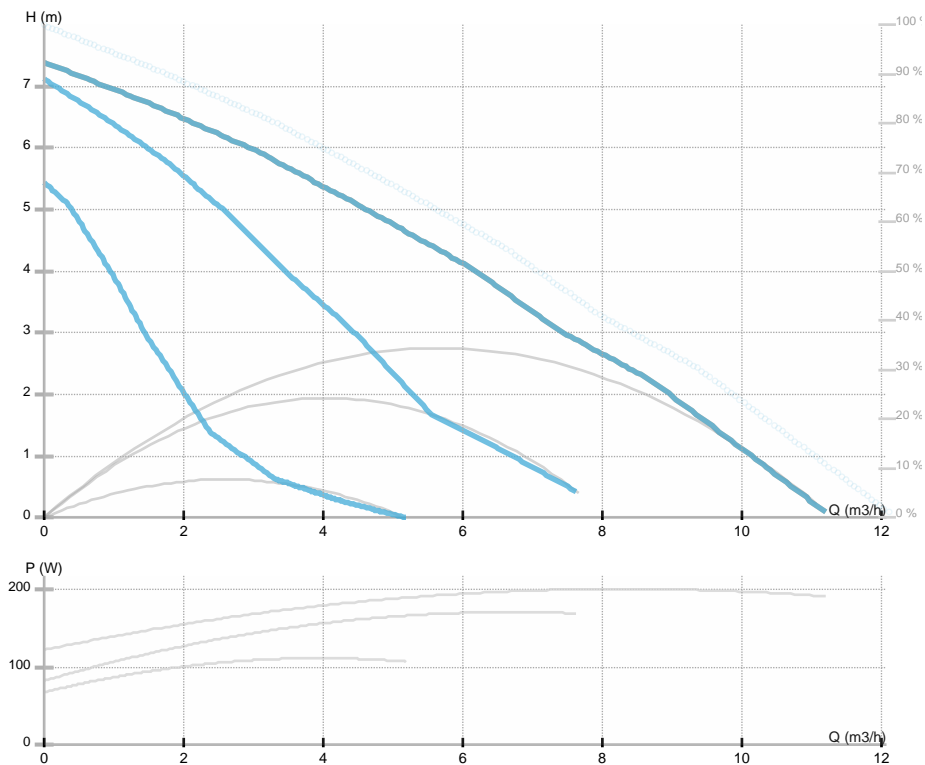
SAN 32/80-180

979523510

SAN / Three speeds threaded pumps for circulation of sanitary water
 Sanitary

GENERAL

Part number	979523510		
Part name	SAN 32/80-180		
Seal type			
Net weight	5.10 [kg]		
H max	8.0 [m]	H min	0.0 [m]
Q max	8.4 [m3/h]	Q min	0.0 [m3/h]
	[%]		
Noise	dB(A)		



ELECTRICAL DATA

Power supply	1~230 V
Mains frequency	50 Hz
Motor power	210 [w]
RPM	1150 - 2450 [1/min]
Insulation class	200
Declared current	0.95 [A]
Declared protection	IP44
Thermal protection	
Frame size	
Motor IE class	

INSTALLATION

Fluid	Water VDI 2035
Fluid temperature	-10.0 ÷ 65.0 [°C]
Ambient temp.range	35 deg C
Length	180 [mm]
DN	32 [mm]
Connector	G 2
Connection	G 2
Max pressure	1.0 MPa

MATERIAL

Bearing material	
Impeller material	Noryl 1630V
Hydraulics material	Bronze
Shaft material	AISI 420

SAN 32/80-180

979523510

SAN / Three speeds threaded pumps for circulation of sanitary water

Sanitary



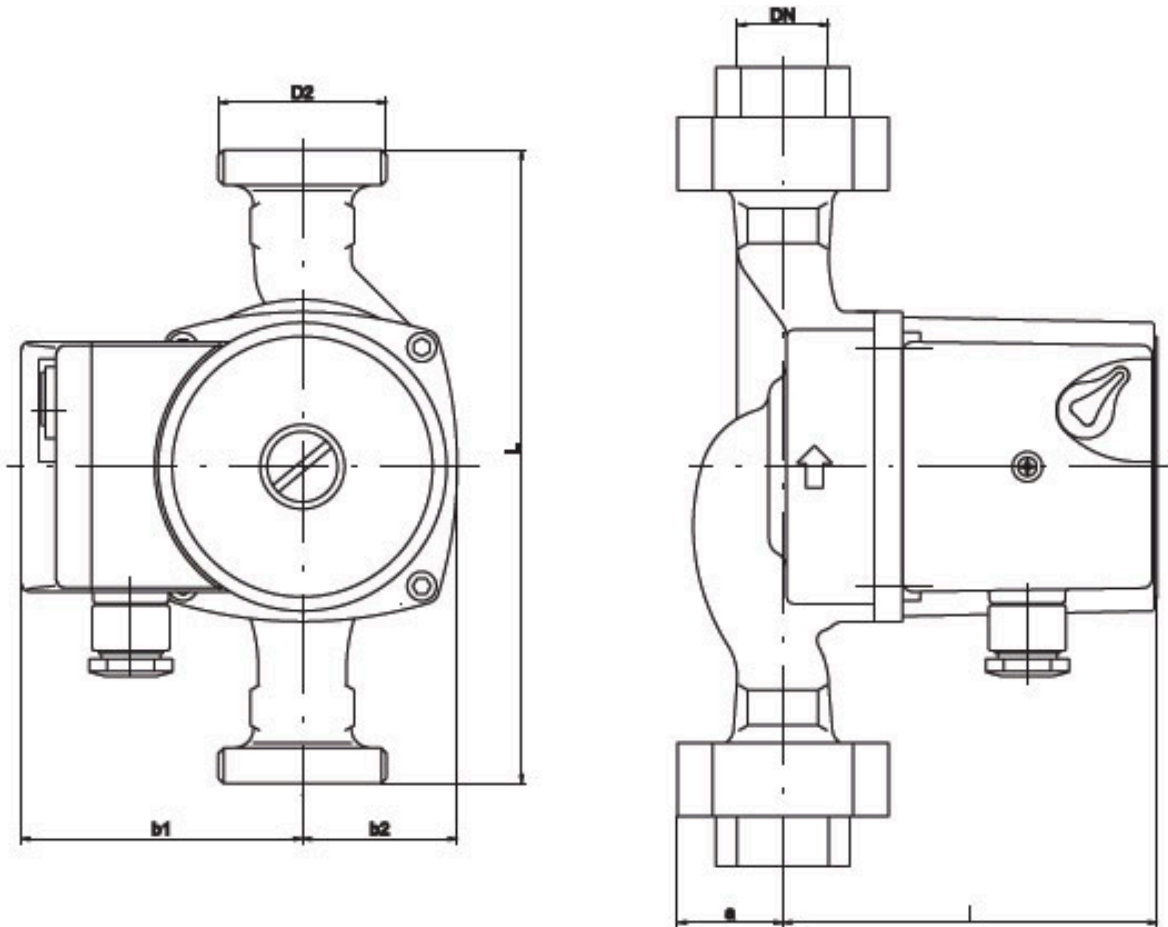


SAN 32/80-180

979523510

SAN / Three speeds threaded pumps for circulation of sanitary water
Sanitary

Dimension drawing



DN=32 D2=2" L=180 l=108 b1=80 b2=44 a=30

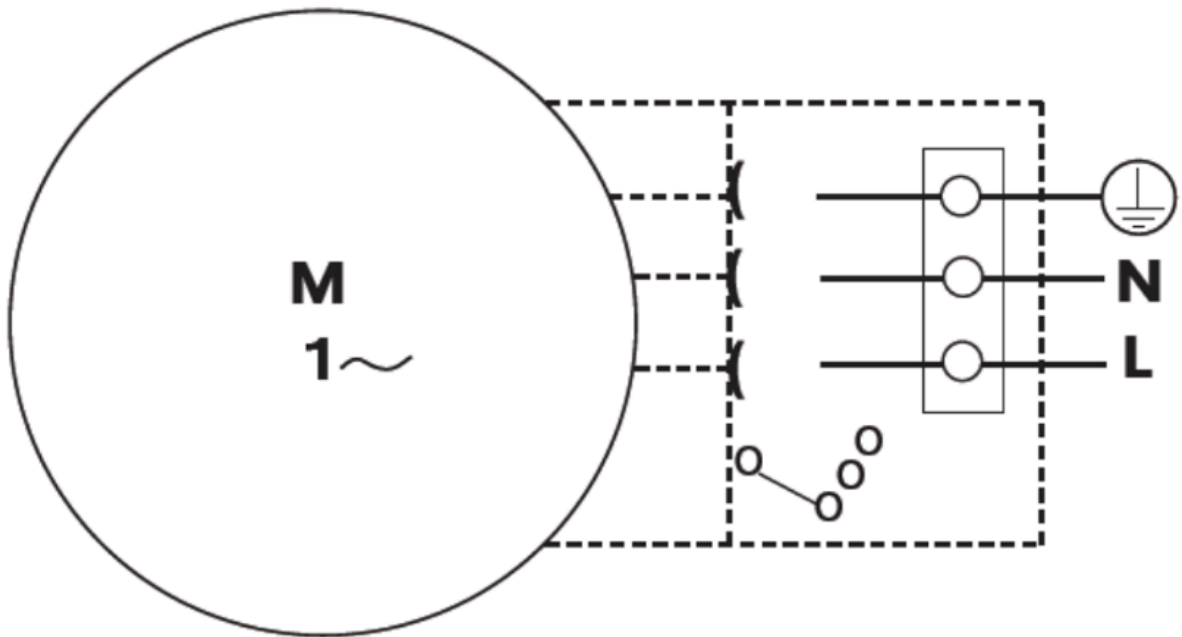


SAN 32/80-180

979523510

SAN / Three speeds threaded pumps for circulation of sanitary water
Sanitary

Electrical wiring





SAN 32/80-180

979523510

SAN / Three speeds threaded pumps for circulation of sanitary water
Sanitary