



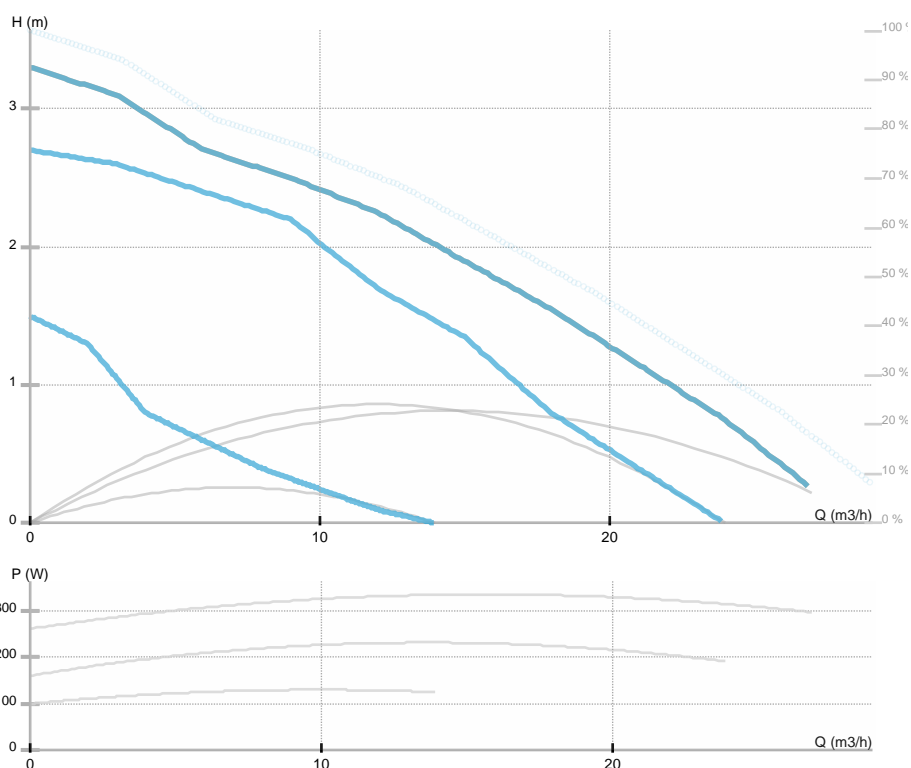
## GHNbasic II 50-40F

979524466

 GHNbasic II / Three speeds circulation pumps with flanges  
 Heating/cooling

### GENERAL

Part number	<b>979524466</b>		
Part name	<b>GHNbasic II 50-40F</b>		
Seal type			
Net weight	<b>24.00 [kg]</b>		
H max	<b>3.5 [m]</b>	H min	<b>0.0 [m]</b>
Q max	<b>20.0 [m3/h]</b>	Q min	<b>0.0 [m3/h]</b>
Noise	<b>dB(A)</b>		



### ELECTRICAL DATA

Power supply	<b>3~400 V</b>
Mains frequency	<b>50 Hz</b>
Motor power	<b>282 [w]</b>
RPM	<b>620 - 1450 [1/min]</b>
Insulation class	<b>200</b>
Declared current	<b>0.97 [A]</b>
Declared protection	<b>IP44</b>
Thermal protection	
Frame size	
Motor IE class	

### INSTALLATION

Fluid	<b>Water VDI 2035, glycol 50%</b>
Fluid temperature	<b>-10.0 ÷ 120.0 [°C]</b>
Ambient temp.range	<b>40 deg C</b>
Length	<b>280 [mm]</b>
DN	<b>50 [mm]</b>
Connector	<b>PN 6/10</b>
Connection	<b>PN 6/10</b>
Max pressure	

### MATERIAL

Bearing material	<b>Graphite</b>
Impeller material	<b>AISI 304</b>
Hydraulics material	<b>Gray cast iron</b>
Shaft material	<b>AISI 431</b>

## **GHNbasic II 50-40F**

979524466

GHNbasic II / Three speeds circulation pumps with flanges  
Heating/cooling



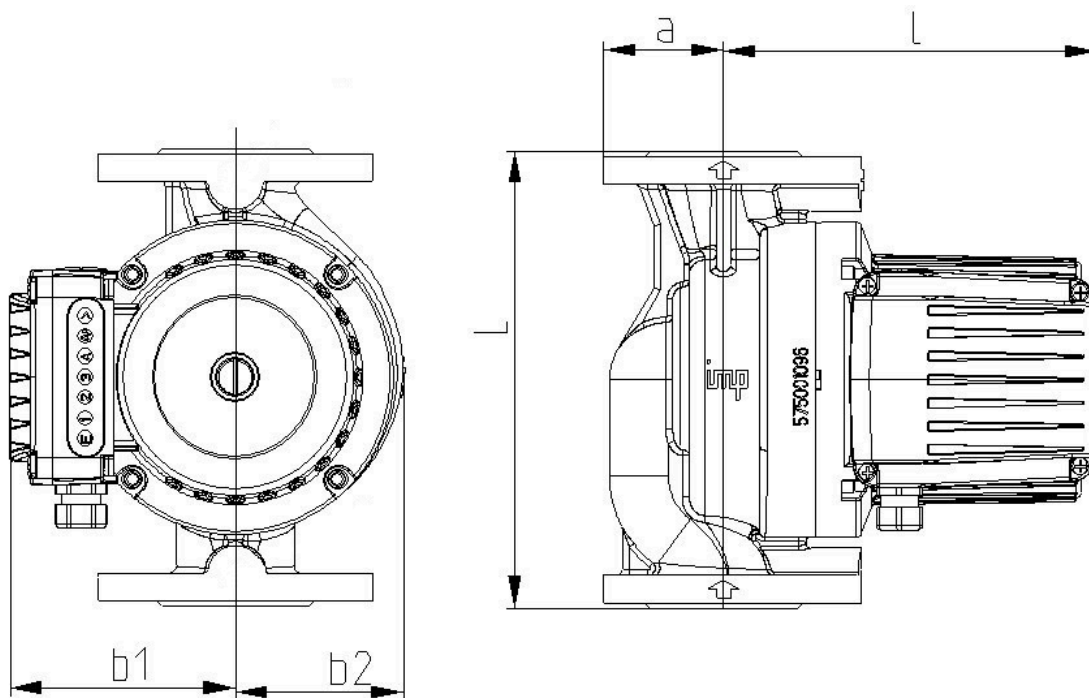


## GHNbasic II 50-40F

979524466

GHNbasic II / Three speeds circulation pumps with flanges  
Heating/cooling

Dimension drawing



DN=50 L=280 a=70 l=220 b1=130 b2=123 R=1/4

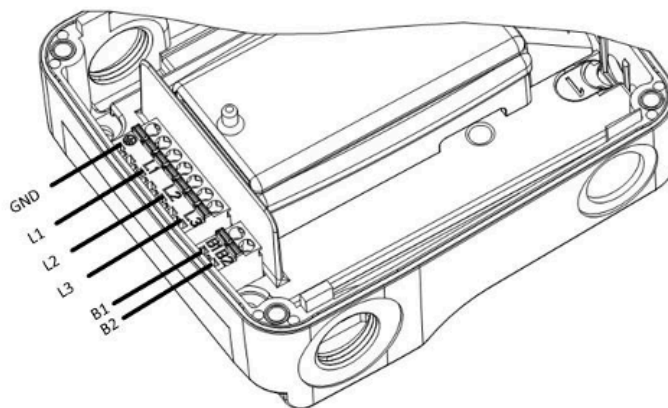
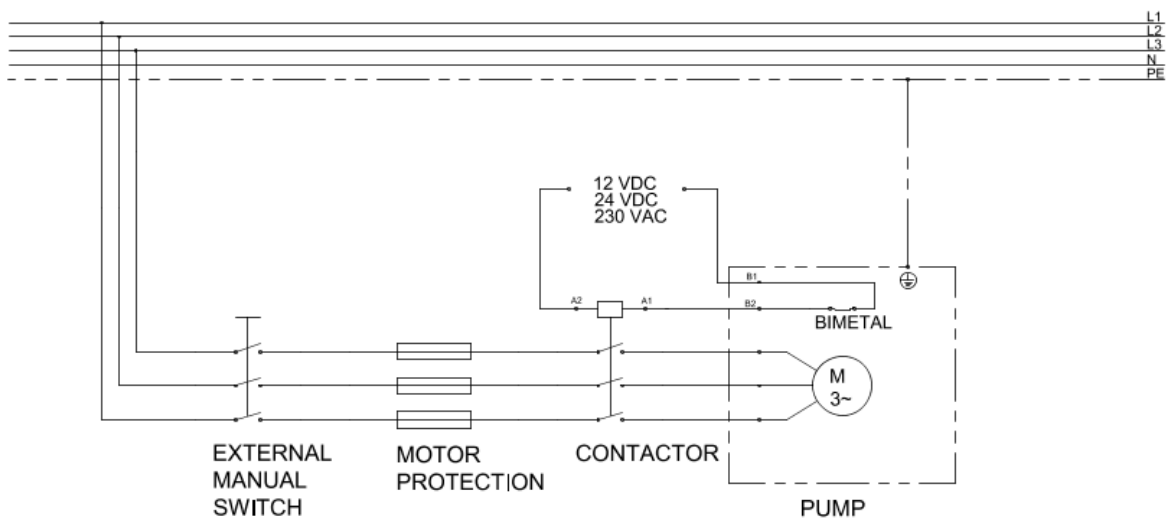


## GHNbasic II 50-40F

979524466

GHNbasic II / Three speeds circulation pumps with flanges  
Heating/cooling

Electrical wiring





## **GHNbasic II 50-40F**

979524466

GHNbasic II / Three speeds circulation pumps with flanges  
Heating/cooling