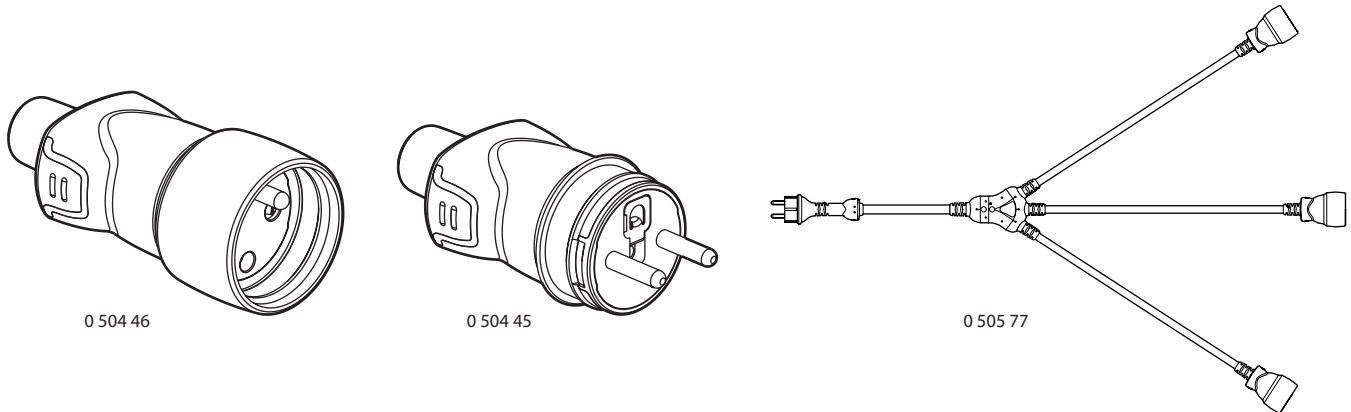


## Plugs, extensions, "Octopus" multi-outlet extension French/Belgian standard

Cat. Nos: 0 501 14/15/17 - 0 502 52 - 0 504 45/46/47  
 0 505 75/77/78 - 0 908 20 - 0 939 14/15/17 - 0 969 29



### 1. USE

16 A black rubber plugs and extensions, for intensive or outdoor use.  
 Screw cable grip for H07 RNF 3G cable 2.5 mm<sup>2</sup> max.

### 2. RANGE

#### PLUGS

	2P+E plug with straight output - IP 44	0 504 45 0 501 14 0 939 14
	2P+E plug with right-angled output French/Belgian and German standard	0 502 52 0 969 29

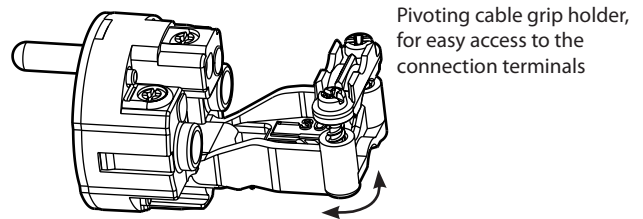
#### EXTENSIONS

	2P+E extension with straight output IP 44 with male plug Cat. Nos. 0 504 40/44/45	0 504 46 0 501 15 0 939 15
	2P+E extension with straight output IP 44 with a cap and IP 44 with male plug Cat. Nos. 0 504 40/44/45	0 504 47 0 501 17 0 939 17
	2 x 2P+E extension with hanging ring and IP 44 caps	0 505 75 0 908 20
	3 x 2P+E extension with hanging ring and IP 44 caps	0 505 78

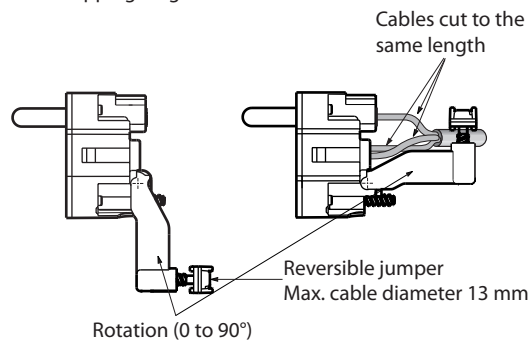
#### MULTI-OUTLET EXTENSION

	3 x 2P+E "Octopus" multi-outlet extension: - 1 French/Belgian and German standard plug - 3 x 2P+E extensions with straight output	0 505 77
--	---	----------

### 3. POSITIONING

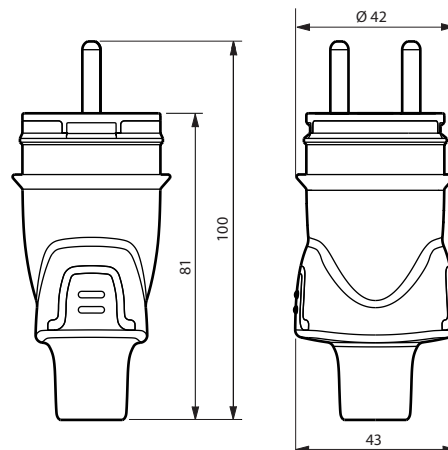


Length of sheath to be removed: 30 mm  
 Wire stripping length: 8 mm



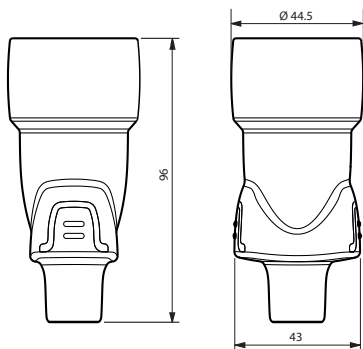
### 4. DIMENSIONS (mm)

Pin diameter: 4.8 mm  
 Cat. No. 0 504 45

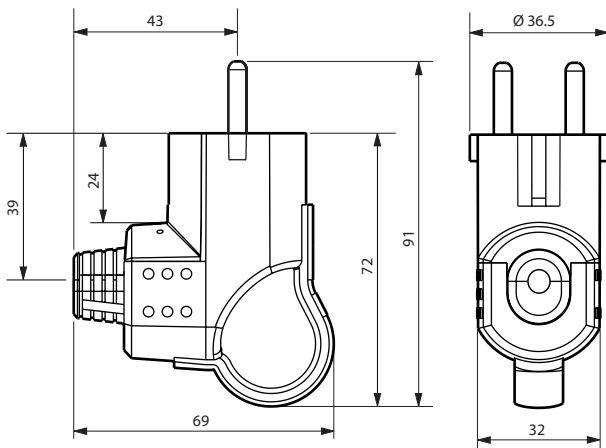


**4. DIMENSIONS (mm) (continued)**

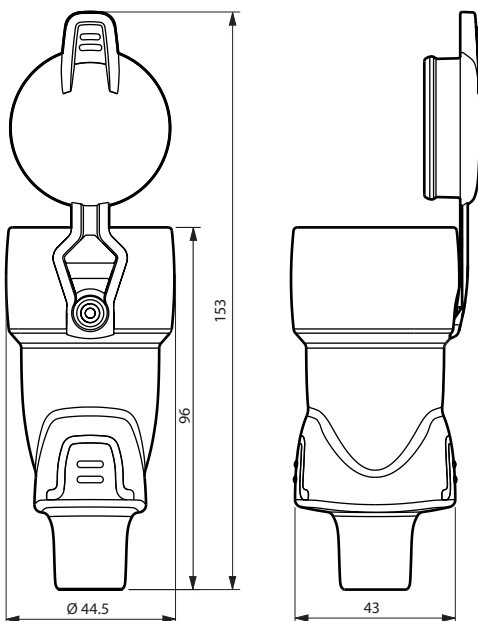
Cat. No. 0 504 46



Cat. No. 0 502 52

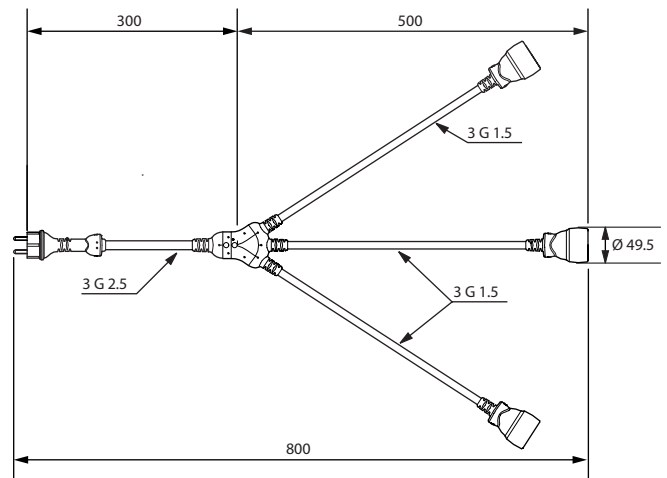


Cat. No. 0 504 47

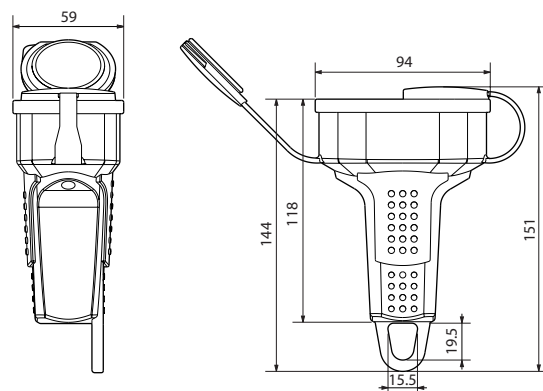


**4. DIMENSIONS (mm) (continued)**

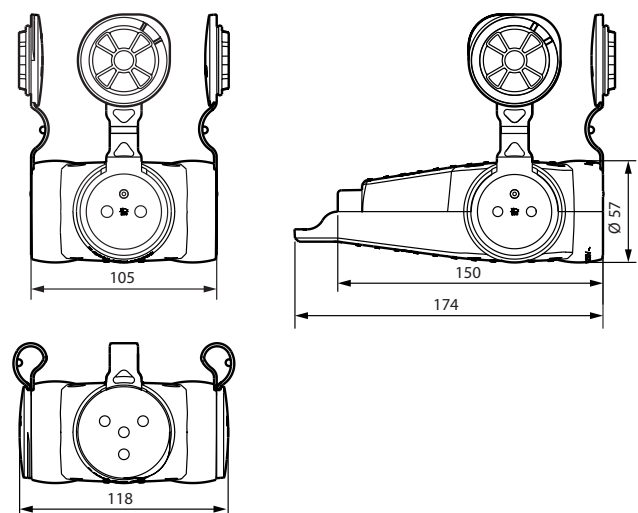
Cat. No. 0 505 77



Cat. No. 0 505 75



Cat. No. 0 505 78



**5. CONNECTION**

Terminal type: screw  
Terminal capacity: 2.5 mm<sup>2</sup>  
Screwdriver: crosshead or Philips no. 1 or 4 mm flat

## 6. TECHNICAL CHARACTERISTICS

### ■ 6.1 Mechanical characteristics

Protection against impacts: IK 08

IK 10 for Cat. No. 0 505 77

Protection against solid bodies and liquids:

- IP 44

- IP 20 for Cat. Nos. 0 502 52 - 0 969 29

### ■ 6.2 Material characteristics

SEBS: similar appearance and quality to rubber (or better)

Shutters: reinforced polyamide

Pins: brass

Self-extinguishing:

+ 750° C / 30 s for parts made of insulating materials holding live parts  
in place

+ 650° C / 30 s for other parts made of insulating materials

### ■ 6.3 Electrical characteristics

Voltage: 250 V~

Current: 16 A

Frequency: 50/60 Hz

Power: 3680 W

### ■ 6.4 Climate characteristics

Storage temperatures: - 15° C to + 70° C

Operating temperatures: - 10° C to + 50° C

## 8. CARE

Clean the surface with a cloth.

Do not use acetone, tar-removing cleaning agents or trichloroethylene.

**Caution:** Always test before using special cleaning products.

## 9. STANDARDS AND APPROVALS

Products conforming to NF C 61-314 and IEC 884-1.

Conforming to the recommendations of the OPPBTP (French professional organisation for accident prevention in building and civil engineering).

Particular requirements of mobile products taken into account, 1.5 mm<sup>2</sup> flexible cable.