



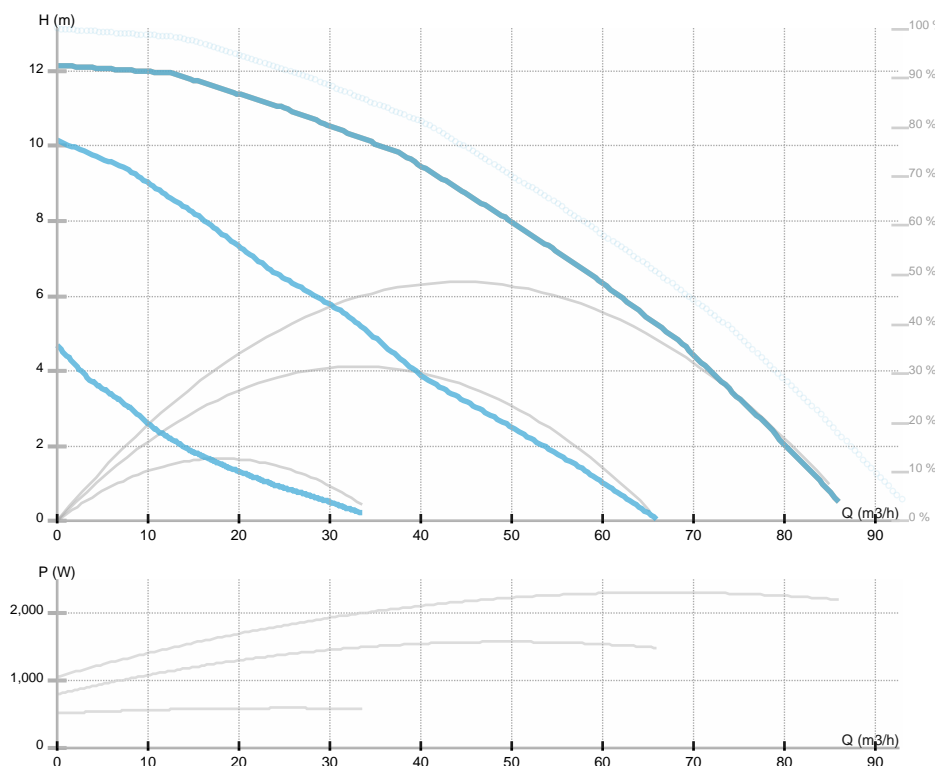
GHNbasic II 100-120F PN10

979524475

 GHNbasic II / Three speeds circulation pumps with flanges
 Heating/cooling

GENERAL

Part number	979524475		
Part name	GHNbasic II 100-120F PN10		
Seal type			
Net weight	38.30 [kg]		
H max	11.5 [m]	H min	0.0 [m]
Q max	75.0 [m3/h]	Q min	0.0 [m3/h]
	[%]		
Noise	dB(A)		



ELECTRICAL DATA

Power supply	3~400 V
Mains frequency	50 Hz
Motor power	2324 [w]
RPM	1200 - 2800 [1/min]
Insulation class	200
Declared current	4.0 [A]
Declared protection	IP44
Thermal protection	
Frame size	
Motor IE class	

INSTALLATION

Fluid	Water VDI 2035, glycol 50%
Fluid temperature	-10.0 ÷ 120.0 [°C]
Ambient temp.range	40 deg C
Length	360 [mm]
DN	100 [mm]
Connector	PN10
Connection	PN10
Max pressure	

MATERIAL

Bearing material	Graphite
Impeller material	AISI 304
Hydraulics material	Gray cast iron
Shaft material	AISI 431

GHNbasic II 100-120F PN10

979524475

GHNbasic II / Three speeds circulation pumps with flanges

Heating/cooling





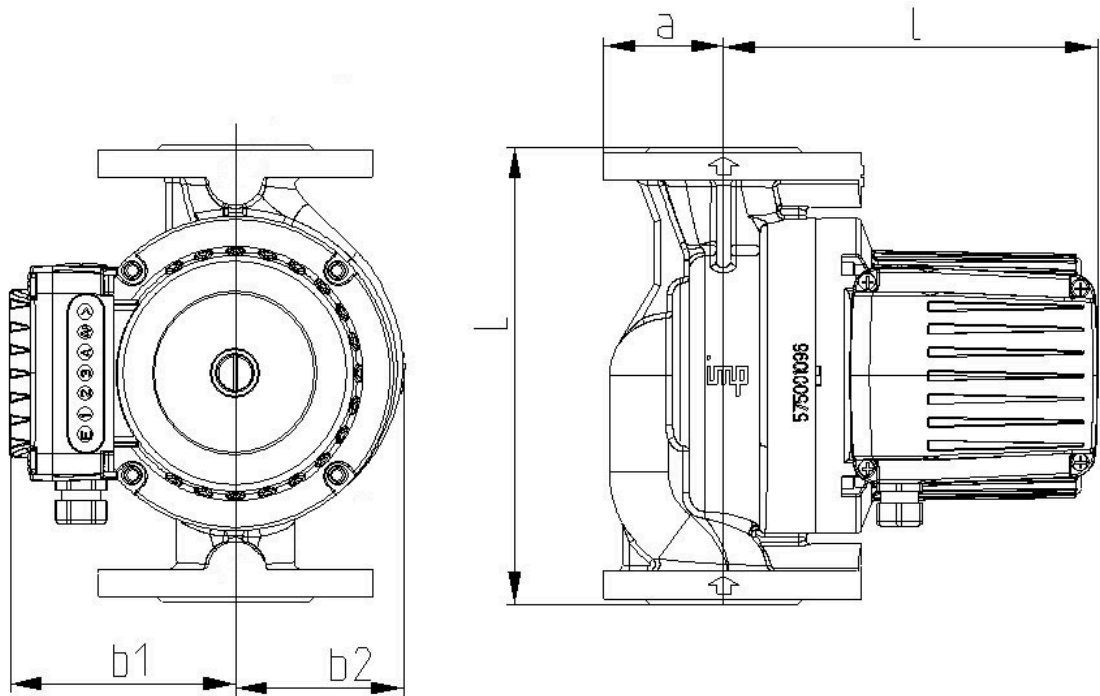
GHNbasic II 100-120F PN10

979524475

GHNbasic II / Three speeds circulation pumps with flanges

Heating/cooling

Dimension drawing



DN=100 L=360 a=110 l=257 b1=130 b2=130 R=1/4

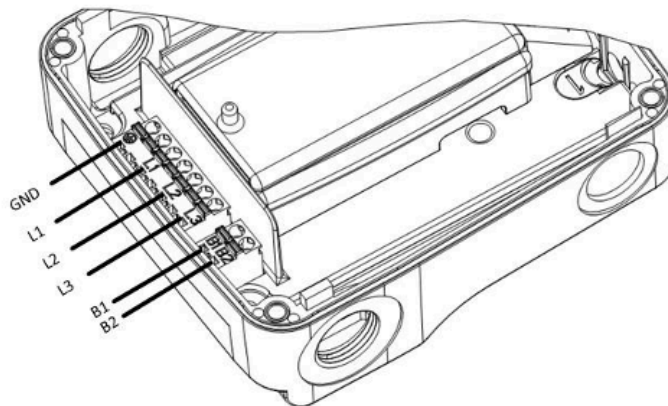
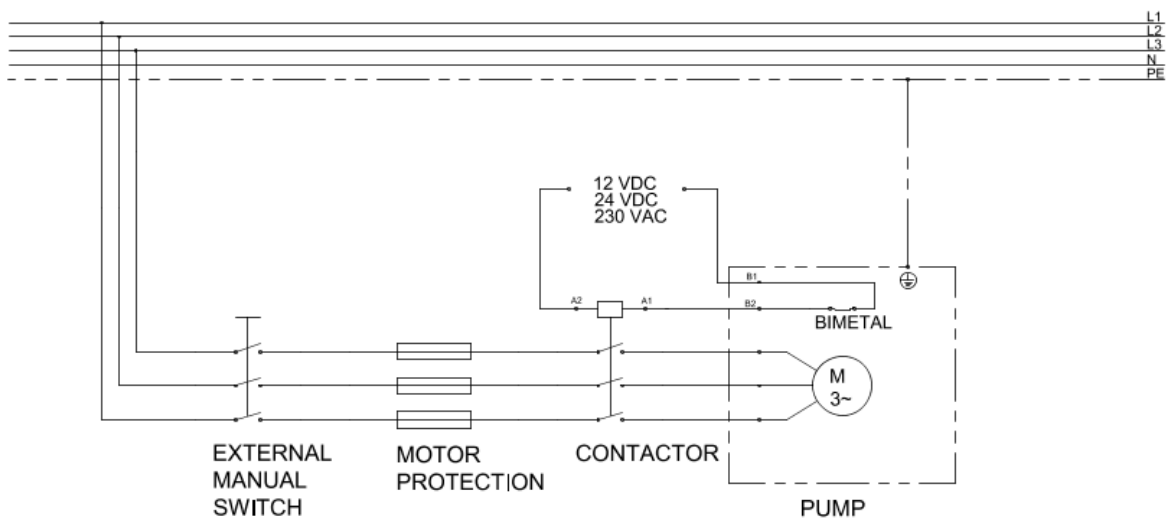


GHNbasic II 100-120F PN10

979524475

GHNbasic II / Three speeds circulation pumps with flanges
 Heating/cooling

Electrical wiring





GHNbasic II 100-120F PN10

979524475

GHNbasic II / Three speeds circulation pumps with flanges
Heating/cooling