



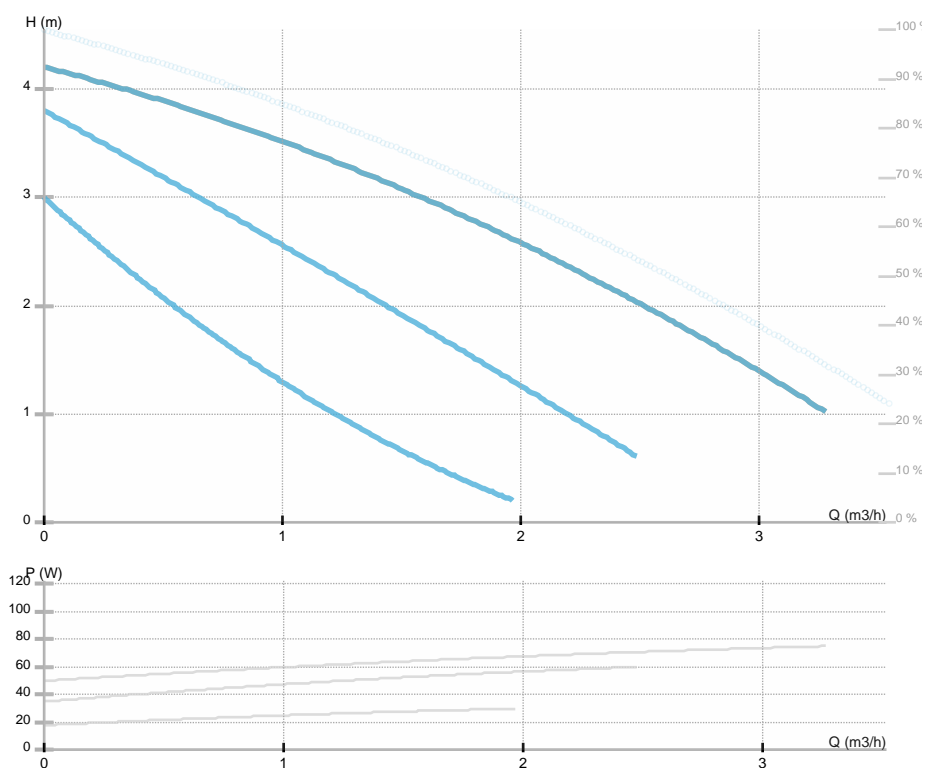
## SAN 25/40-130

979521767

SAN / Three speeds threaded pumps for circulation of sanitary water  
 Sanitary

### GENERAL

Part number	<b>979521767</b>		
Part name	<b>SAN 25/40-130</b>		
Seal type			
Net weight	<b>2.50 [kg]</b>		
H max	<b>4.0 [m]</b>	H min	<b>0.0 [m]</b>
Q max	<b>3.0 [m3/h]</b>	Q min	<b>0.0 [m3/h]</b>
	<b>[%]</b>		
Noise	<b>≤43 dB(A)</b>		



### ELECTRICAL DATA

Power supply	<b>1~230 V</b>
Mains frequency	<b>50 Hz</b>
Motor power	<b>75 [w]</b>
RPM	<b>1315 - 2456 [1/min]</b>
Insulation class	<b>H</b>
Declared current	<b>0.33 [A]</b>
Declared protection	<b>IP44</b>
Thermal protection	
Frame size	
Motor IE class	

### INSTALLATION

Fluid	<b>Water VDI 2035</b>
Fluid temperature	<b>-10.0 ÷ 65.0 [°C]</b>
Ambient temp.range	<b>35 deg C</b>
Length	<b>130 [mm]</b>
DN	<b>25 [mm]</b>
Connector	<b>G 1 ½</b>
Connection	<b>G 1 ½</b>
Max pressure	<b>1.0 MPa</b>

### MATERIAL

Bearing material	
Impeller material	<b>Noryl 1630V</b>
Hydraulics material	<b>Bronze</b>
Shaft material	<b>AISI 420</b>

## **SAN 25/40-130**

979521767

SAN / Three speeds threaded pumps for circulation of sanitary water

Sanitary



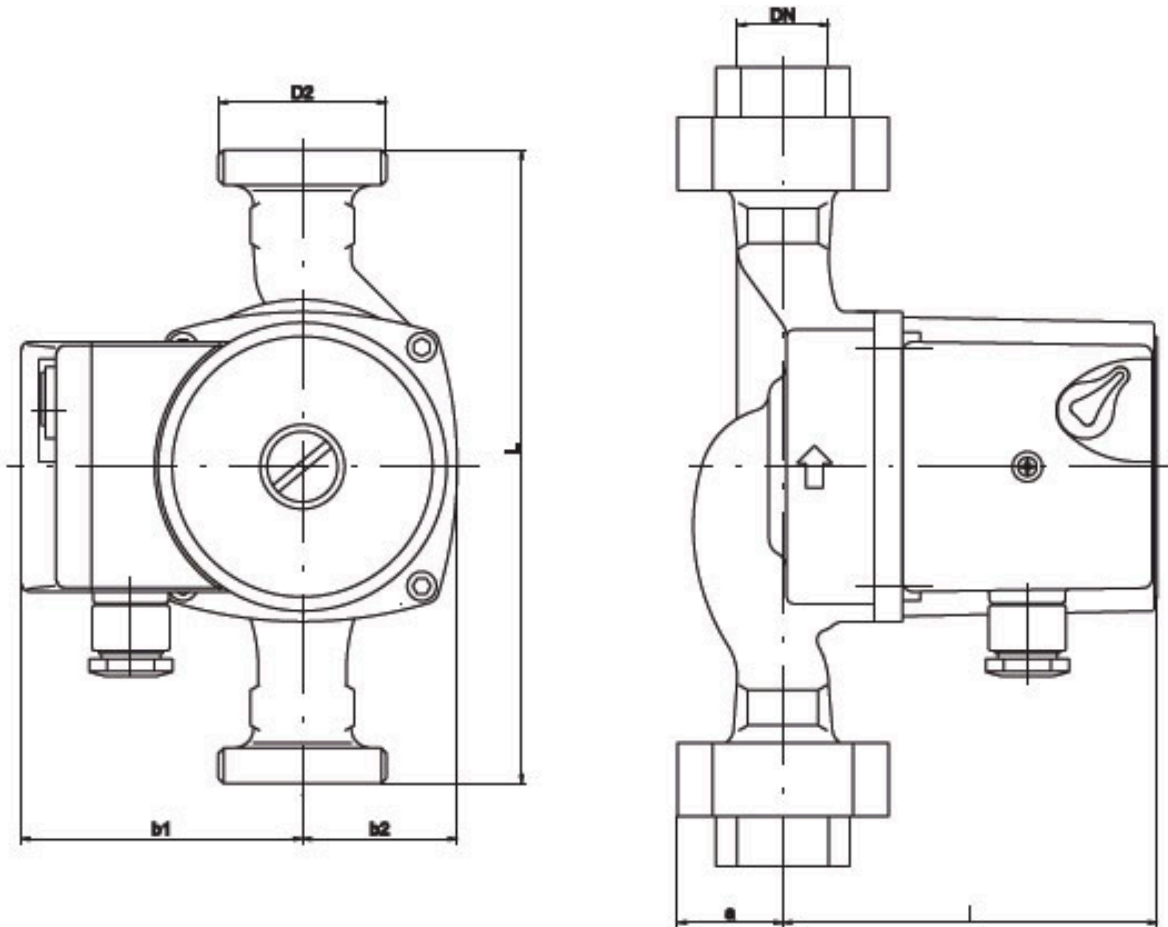


## SAN 25/40-130

979521767

SAN / Three speeds threaded pumps for circulation of sanitary water  
Sanitary

Dimension drawing



DN=25 D2=1 1/2" L=130 l=108 b1=80 b2=44 a=28

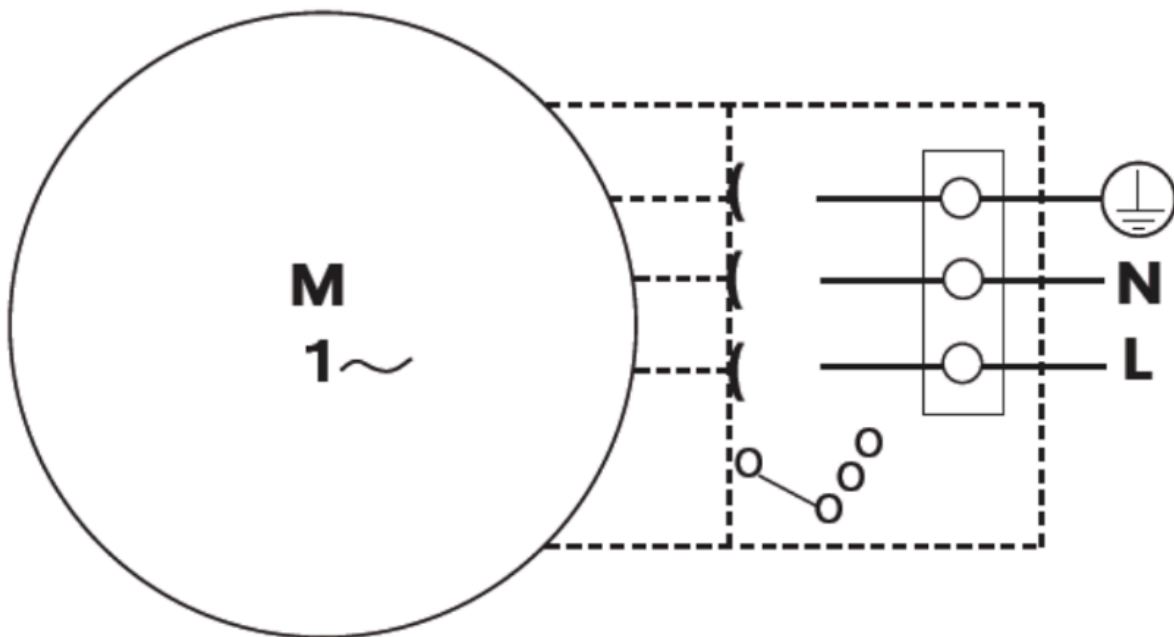


## SAN 25/40-130

979521767

SAN / Three speeds threaded pumps for circulation of sanitary water  
Sanitary

Electrical wiring





## **SAN 25/40-130**

979521767

SAN / Three speeds threaded pumps for circulation of sanitary water  
Sanitary